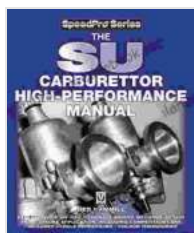


# The SU Carburettor High Performance Manual: Speedpro Series - Unlocking the Secrets of Enhanced Performance

As the heart of an engine, carburetors play a pivotal role in regulating the air-fuel mixture, directly impacting the performance and efficiency of your vehicle. For enthusiasts seeking to unleash the true potential of their classic or vintage cars, the SU carburettor has long been a revered choice. With its unique design and exceptional precision, the SU carburettor has graced countless iconic vehicles throughout automotive history.



## The SU Carburettor High Performance Manual (SpeedPro series) by Des Hammill

★★★★☆ 4.6 out of 5

Language : English  
File size : 18145 KB  
Text-to-Speech : Enabled  
Screen Reader : Supported  
Enhanced typesetting : Enabled  
Print length : 205 pages

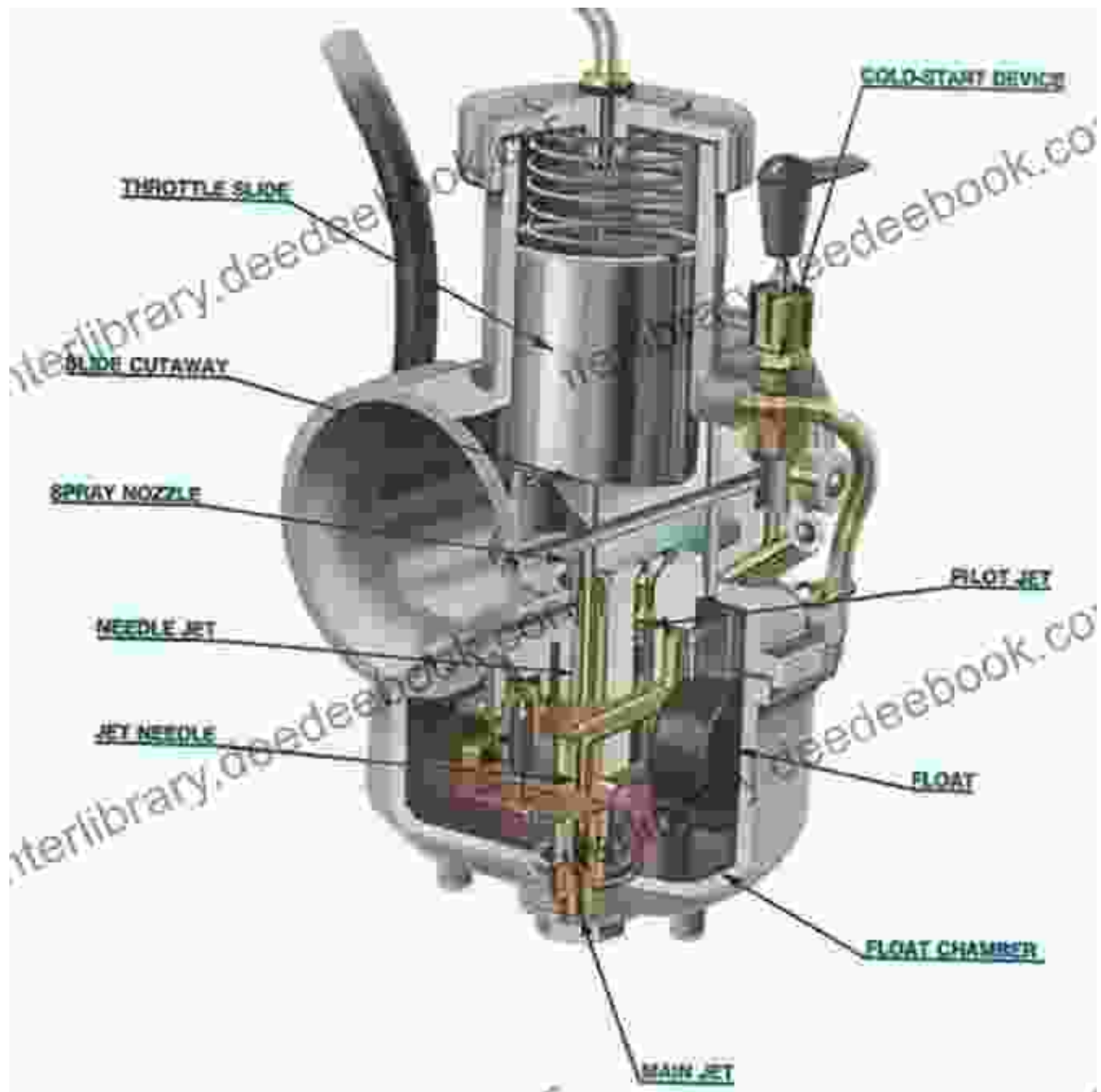


The SU Carburettor High Performance Manual: Speedpro Series is an invaluable resource for anyone seeking to optimize and enhance the performance of their SU-equipped engine. This comprehensive manual is meticulously crafted, providing a wealth of expert insights, detailed tuning techniques, and performance upgrades. Whether you're a seasoned

mechanic or an enthusiastic DIYer, this manual empowers you to unlock the full potential of your engine.

## **Understanding the SU Carburettor**

The manual commences with an in-depth exploration of the SU carburettor's intricate design and operation. With clear illustrations and detailed explanations, it demystifies the inner workings of this remarkable device. You'll gain a thorough understanding of its components, including the float chamber, jet, needle, and damper. This foundational knowledge lays the groundwork for effective tuning and performance enhancements.



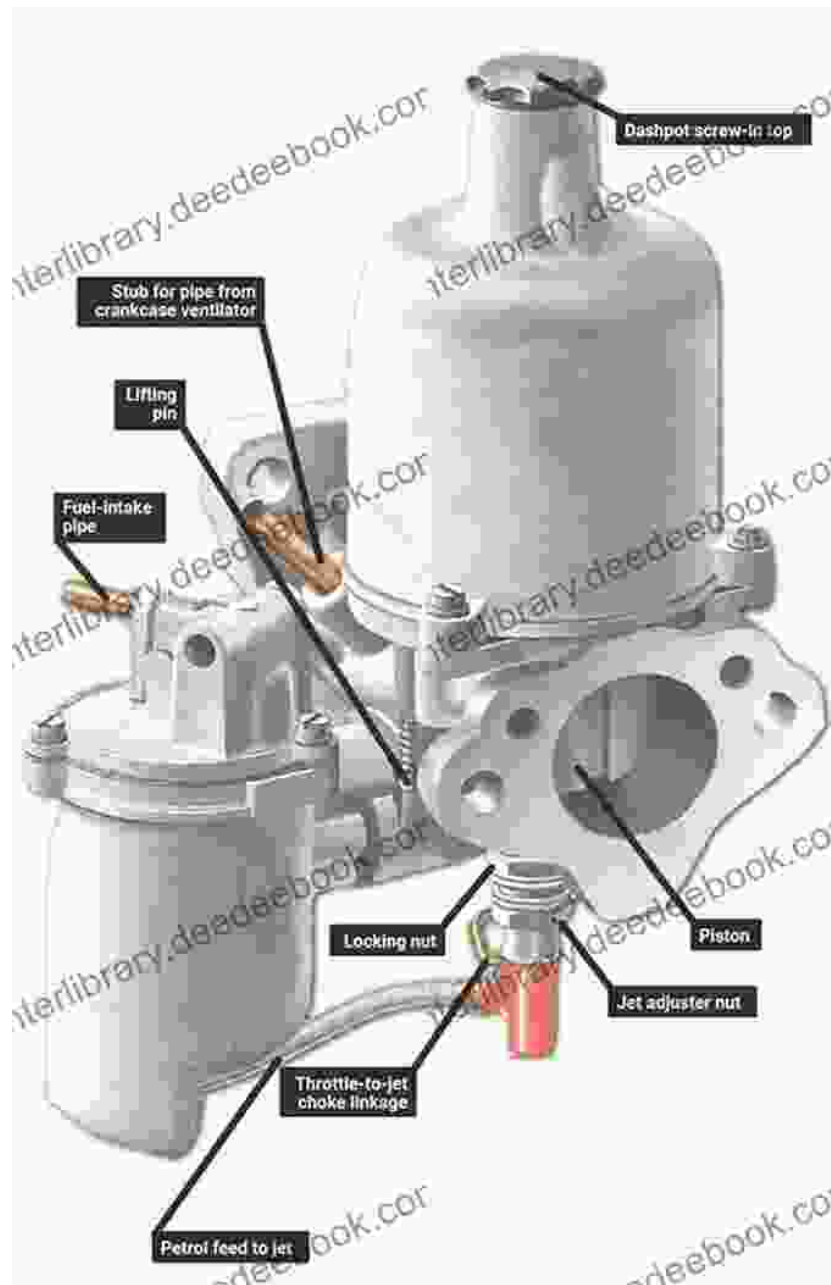
## Performance Enhancements

Delving into the heart of the matter, the manual unveils a treasure trove of techniques and modifications to elevate the performance of your SU carburettor. Step-by-step instructions guide you through optimizing fuel delivery, air flow, and ignition timing. You'll discover how to fine-tune the needle position, adjust the damper spring, and modify the jet size to

achieve a perfect air-fuel ratio. These enhancements translate into increased power, improved throttle response, and enhanced fuel efficiency.

## **Detailed Tuning Techniques**

The manual doesn't merely provide a laundry list of upgrades; it empowers you with the knowledge and expertise to diagnose and resolve performance issues with precision. Comprehensive troubleshooting guides walk you through common problems and their solutions, from identifying lean or rich mixtures to addressing hesitation and stalling. With the guidance of this manual, you'll become adept at analyzing symptoms, performing adjustments, and ensuring the optimal functioning of your SU carburettor.



## Speedpro Modifications

For those seeking the ultimate in performance, the manual unveils the secrets of the legendary Speedpro series. These high-performance carburetors are meticulously designed to maximize airflow, improve fuel atomization, and deliver unparalleled power gains. The manual provides detailed instructions on selecting the appropriate Speedpro carburettor for

your engine and skillfully installing it. With expert guidance, you'll learn how to fine-tune the Speedpro carburettor to unleash its full potential.

The SU Carburettor High Performance Manual: Speedpro Series is an essential companion for anyone passionate about extracting the maximum performance from their SU-equipped engine. This comprehensive manual empowers you with the knowledge and expertise to optimize fuel delivery, enhance airflow, and achieve the perfect air-fuel ratio. With its detailed tuning techniques and performance upgrades, you'll unlock the true potential of your classic or vintage vehicle, experiencing exhilarating power gains and unparalleled driving pleasure.

Whether you're a seasoned mechanic or an enthusiastic DIYer, this manual is your indispensable guide to mastering the art of SU carburettor tuning. With its expert insights and practical instructions, you'll become intimately familiar with the inner workings of your carburettor, empowering you to achieve the ultimate in performance and driving enjoyment.



## The SU Carburettor High Performance Manual (SpeedPro series) by Des Hammill

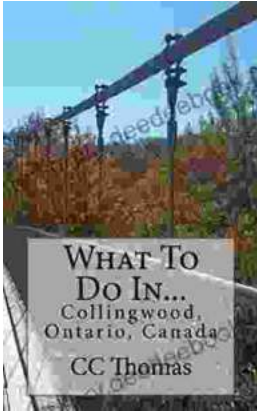
★★★★☆ 4.6 out of 5

Language : English  
File size : 18145 KB  
Text-to-Speech : Enabled  
Screen Reader : Supported  
Enhanced typesetting : Enabled  
Print length : 205 pages

FREE

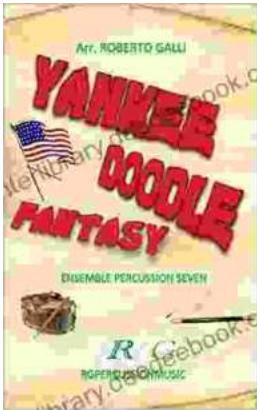
DOWNLOAD E-BOOK





## Discover the Enchanting Allure of Collingwood, Ontario, Canada

Nestled amidst the breathtaking landscape of Ontario, Canada, the charming town of Collingwood beckons travelers with its pristine beaches, picturesque trails, vibrant arts...



## Roberto Galli: Embracing the Fantasy of Yankee Doodle

In the realm of equestrian arts, Roberto Galli stands as a maestro of innovation and enchantment. His masterwork, Yankee Doodle Fantasy, has...